



Illuminators

Halogen, metal halide, and LED light generators that mate directly to all Luxam fiber bundles. Our new hybrid fiber/LED interactive systems are mated directly to individual fiber tails. All existing bundles can be retro-cut and polished to work with interactive models.

10-201

5 x 4 x 3"

35 Watt halogen convection cooled w/ external power supply



10-322

8 x 6 x 4"

50 watt halogen convection cooled, internal power supply



10-523

10 x 9 x 4"

100 Watt halogen black-out, no light leaks



10-513

7 x 6 x 3.9"

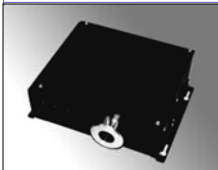
100 watt halogen compact



10-650

12 x 10 x 4"

150 watt metal halide



11-500

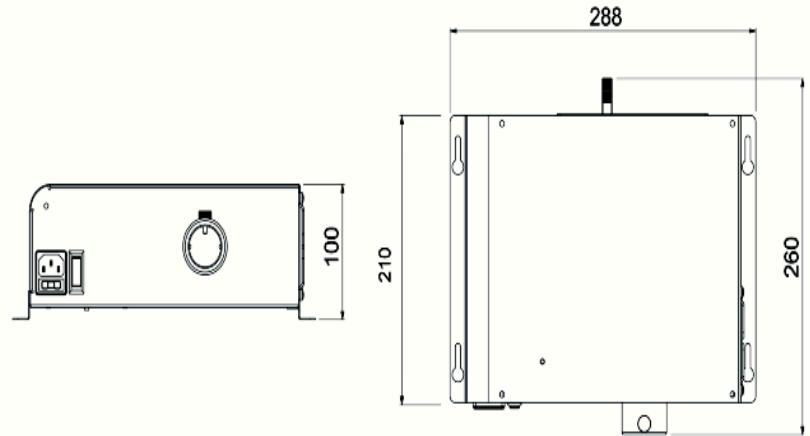
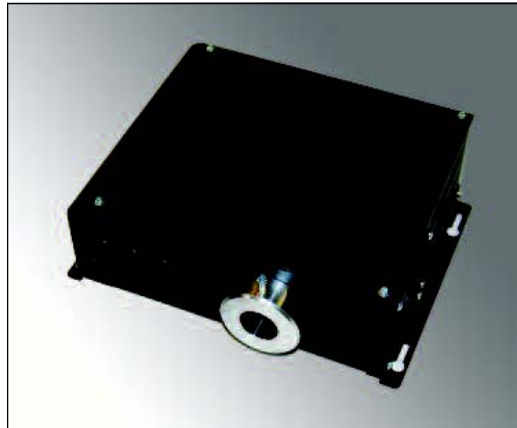
Rack mount 3U

Hybrid fiber/LED illuminator—interactive DMX controlled





150 watt metal halide illuminator 10 - 650



A low profile light source which uses a 150W metal halide discharge lamp to give much greater brightness than those powered by halogen lamps.

Description	150W
Port connector size	30mm diameter
Fibre type	Glass/Polymer
Supply voltage	120/230 VAC 50/60 Hz
Lamp power	150W
Input power	180VA @ 240VAC
Start up current	0.3A (240V) / 0.7A (120V)
Running current	0.75A (240V) / 1.5A (120V)
Min. ambient temperature	-20°C
Max. ambient temperature	40°C
Thermal protection	Thermal switch
Main fuse	4 Amp
Power cord	IEC mains cable
Ballast type	Electronic
Fan type (polymer fibre)	8550N
Fan type (glass fibre)	8880N
Lamp type	Metal halide
Lamp model	Philips CDM-T or CDM Philips CDM-SA/T or CDM
Lamp life	c 6000h
Lamp colour temperature	4200K(CDM-T)/3000k(CDM)4200K(SA/T)/3000k
Lamp CRI	96 (CDM-T) / 85 (CDM) 96 (SA-T) / 84(CDM)
Acoustic rating (Polymer fibre)	38.0 dB(A)
Acoustic rating (Glass fibre)	31.5 dB(A)
Operating environment	Indoor / dry
Protection rating	IP20
Material	Sheet steel
Colour	Black
Size	288 x 250 x 100 mm (11.4 x 9.8 x 3.9")
Weight	3.2kg (7 pounds)

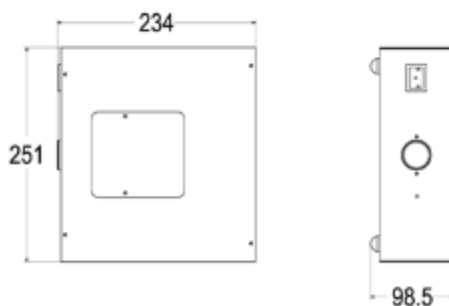


100 Watt halogen illuminator 10-523

		10-522	10-523
Voltage	V	220-240	115-130
Frequency	Hz	50	60
Power consumption	W	100	
Electric class		Class I	
Protection index		IP20	
Transformer with thermal fuse		Electronic	
Lamp type		12V 100W Luxam 19-143	
Lamp wattage	W	35 - 100 Maximum	
Color temperature	K	3000	
Life	h	2000	
Light level measured the fiber end	Lux	240 lux (CAX1,5) / 426 lux (CAX2)	
Maximum number of tails (2)		35 fibers CAX1,5 / 20 fibers CAX2	
Number of tails for optimum result (2)		26 fibers CAX1,5 / 16 fibers CAX2	
Infrared filter		yes	
UV filter		yes	
Filter holder		yes	
Filter dimensions	mm	45x45x1,5	
Operating temperature	°C	+5 < ta < +40	
Dimensions	Mm / inch	134.5 x 231 x 79.5 / 9.88 x 9.25 x 4	
Weight	Kgs / lbs	2.7Kg / 6 Lb	



100 Watt halogen illuminator 10-523



Designed expressly for Museums

No light leaks - perfect for case top position

Black powder coating

Electronic transformer, dimmable by external dimmer

Maximum lamp wattage - 100W

Cooling by fan ventilation, exhaust vent kit optional

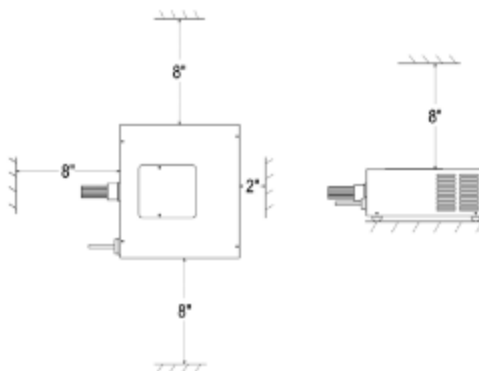
High reliability

Delivered with 100W lamp

Minimum space between the illuminator and the case walls

Preferably used on the top of the display case or if under the case in a compartment, with a minimum of 10 cubic feet volume and 5 inches bottom opening and 5 inches top opening

Multiple illuminators require the addition of exhaust fans





Features :

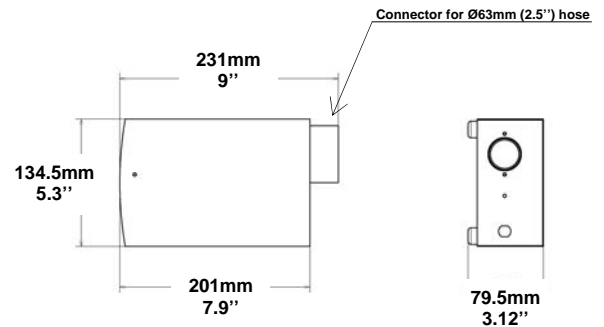
		10-512	10-513
Voltage	V	220-240	115-130
Frequency	Hz	50	60
Power consumption	W	100	
Electric class		Class I	
Protection index		IP20	
Transformer with thermal fuse		Electronic	
Lamp type		12V 100W Luxam 19-143	
Lamp wattage	W	35 -100 Maximum	
Color temperature	K	3000	
Life	h	2000	
Light level measured at the fiber end	Lux	240 lux (CAX1,5) / 426 lux (CAX2)	
Maximum number of tails (2)		35 fibers CAX1,5 / 20 fibers CAX2	
Number of tails for optimum result (2)		26 fibers CAX1,5 / 16 fibers CAX2	
Infrared filter		yes	
UV filter		yes	
Filter holder		yes	
Filter dimensions	mm	45x45x1,5	
Operating temperature	°C	+5 < t _a < +40	
Dimensions	Mm / inch	134.5 x 231 x 79.5 / 5.3 x 9 x 3.13	
Weight	Kgs / lbs	2.5 Kg/ 5 Lb	

(1) For a bundle of 25 tails 1.5mm or 14 tails 20mm of 5 feet, the generator at nominal voltage.

(2) Other fibers : CAX3, CAX4, CAX5.

Luxam Lighting for Museums

Compact 100W Generator 10-513



Designed expressly for Museums

1mm steel case rated for indoor use in dry environment

Black powder coating

Electronic transformer

Dimmable by external dimmer

Maximum lamp wattage: 100W

Cooling by dual fan ventilation, exhaust vent kit optional

High reliability

Delivered with 100W lamp

Delivered with removable 6' power cord

CE UL Certification

Order code

10-512	100W generator 230V 50Hz, with lamp
10-513	100W generator 115V 60Hz, with lamp

Accessories

19-220	Color correction filter (3000 K ->2000 K)	19-221	Color correction filter (3000 K ->2800 K)
19-222	Color correction filter (3000 K ->4000 K)	19-223	Color correction filter (3000 K ->5400 K)
19-225	Neutral density filter ND15	19-226	Neutral density filter ND3