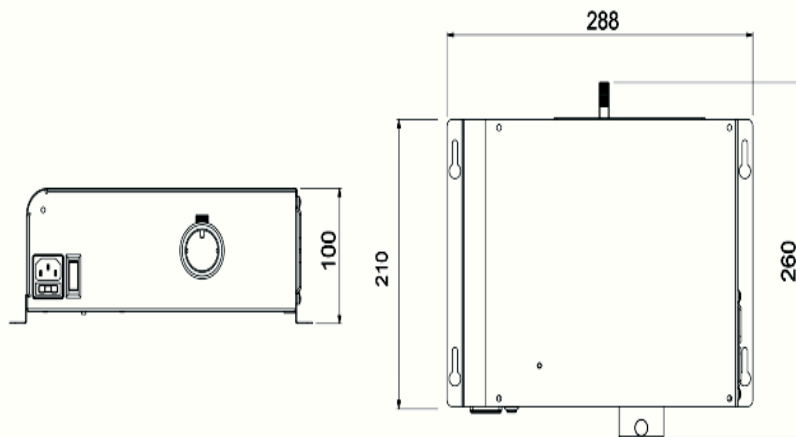
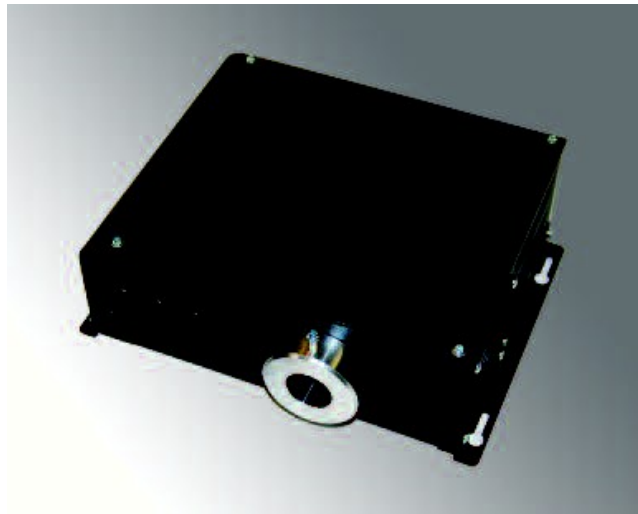


Luxam Lighting for Museums

10-650 150 watt metal halide illuminator



A low profile light source which uses a 150W metal halide discharge lamp to give much greater brightness than those powered by halogen lamps.

Description	150W
Port connector size	30mm diameter
Fibre type	Glass/Polymer
Supply voltage	120/230 VAC 50/60 Hz
Lamp power	150W
Input power	180VA @ 240VAC
Start up current	0.3A (240V) / 0.7A (120V)
Running current	0.75A (240V) / 1.5A (120V)
Min. ambient temperature	-20°C
Max. ambient temperature	40°C
Thermal protection	Thermal switch
Main fuse	4 Amp
Power cord	IEC mains cable
Ballast type	Electronic
Fan type (polymer fibre)	8550N
Fan type (glass fibre)	8880N
Lamp type	Metal halide
Lamp model	Philips CDM-T or CDM Philips CDM-SA/T or CDM
Lamp life	c 6000h
Lamp colour temperature	4200K(CDM-T)/3000k(CDM)4200K(SA/T)/3000k
Lamp CRI	96 (CDM-T) / 85 (CDM) 96 (SA-T) / 84(CDM)
Acoustic rating (Polymer fibre)	38.0 dB(A)
Acoustic rating (Glass fibre)	31.5 dB(A)
Operating environment	Indoor / dry
Protection rating	IP20
Material	Sheet steel
Colour	Black
Size	288 x 250 x 100 mm (11.4 x 9.8 x 3.9")
Weight	3.2kg (7 pounds)